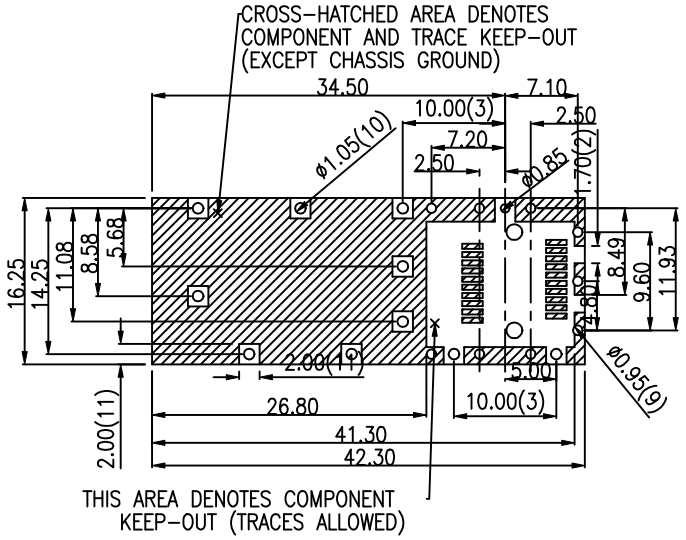
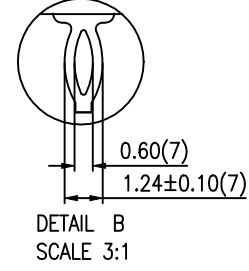
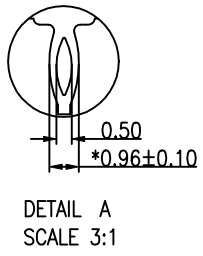
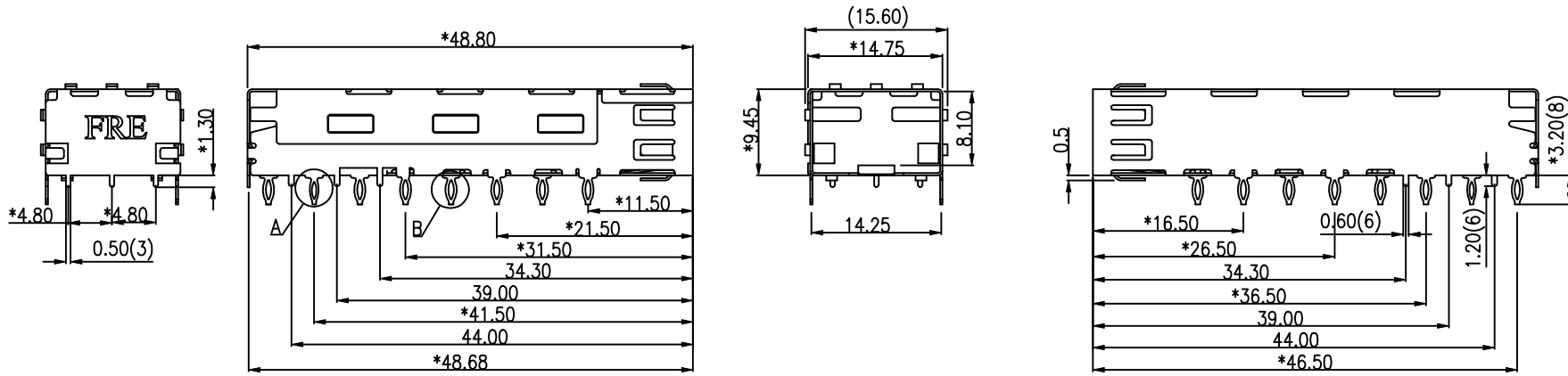


REVISION RECORD				
REV	ECO	DESCRIPTION	DRFT	CHKD
△		Modify Design	yanglan 10/07/05	



NOTE:
MECHANICAL:
SHIELD(CAGE) MATERIAL:
1. THICKNESS=0.25mm, C5191H.
2. PLATED: SELECTIVE PLATED OVER NICKEL
PLATED NICKEL 50u"~110u" △
OR PLATED TIN 100u"~180u".
PART NUMBER : E81M0-WXY8X-L
1-W/O LOGO C5191H A-TIN
C-W/FRE C5191H B-NICKEL

DETAILED LISTS	MM (INCH)	DFTO YANGLAN DATE 06/08/05'	FULL RISE ELECTRONIC CO., LTD	
	TOLERANCES EXCEPT AS NOTED	CHKD JACK DATE 2005/10/07		
	MM	MFO DATE	TITLE SFP CAGE	
	.0 ±0.20	APPV LUSHENG DATE 2005/10/07		
.00 ±0.15	MATERIAL :	DRAWING NO. GE813032	SIZE A3	REV 1
.000 ±0.075	ANGLES ±	/PART NO. SEE NOTE	DO NOT SCALE DRAWING SHEET X OF Y	
THIRD ANGLE PROJECTION	FINISH :	SCALE : 2:1		